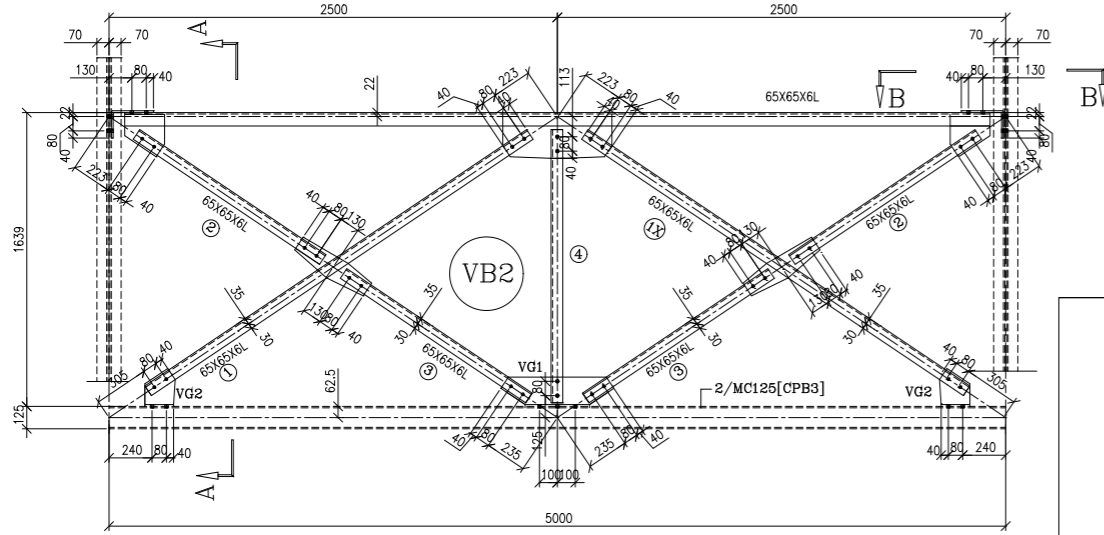


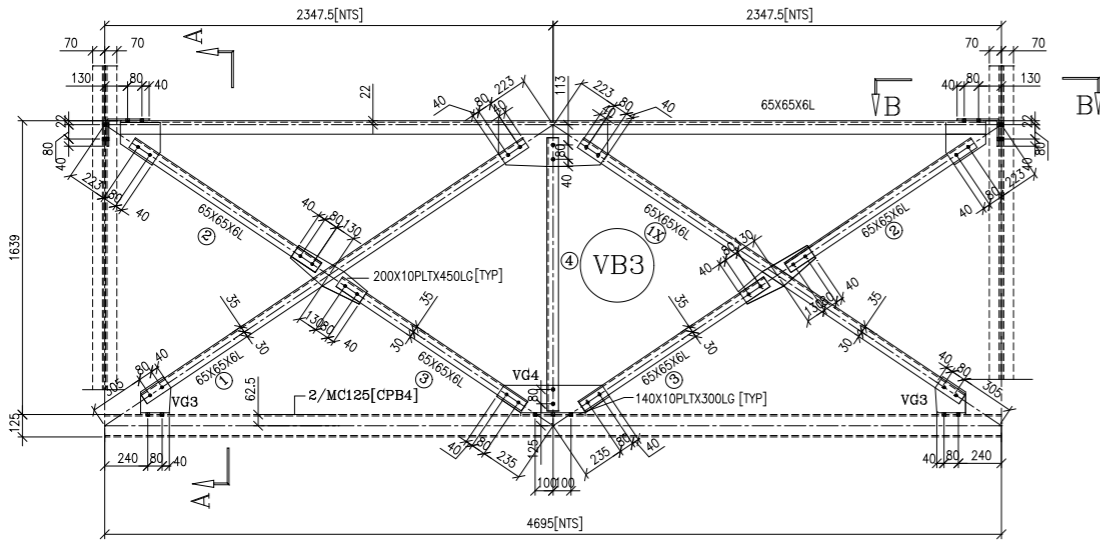
(SCALE :- 1 : 20)



4 SETS OF VERTICAL BRACINGS REQD AS DRAWN&MKD VB2

12 NOS OF VERTICAL BRACINGS GUSSETS REQD AS DRAWN&MKD 8/VG2,4/VG1

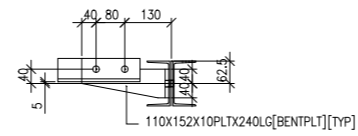
(SCALE :- 1 : 20)



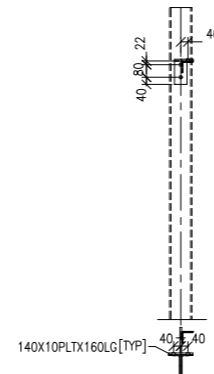
4 SETS OF VERTICAL BRACINGS REQD AS DRAWN&MKD VB3

12 NOS OF VERTICAL BRACINGS GUSSETS REQD AS DRAWN&MKD 8/VG3,4/VG4

(SCALE :- 1 : 10)

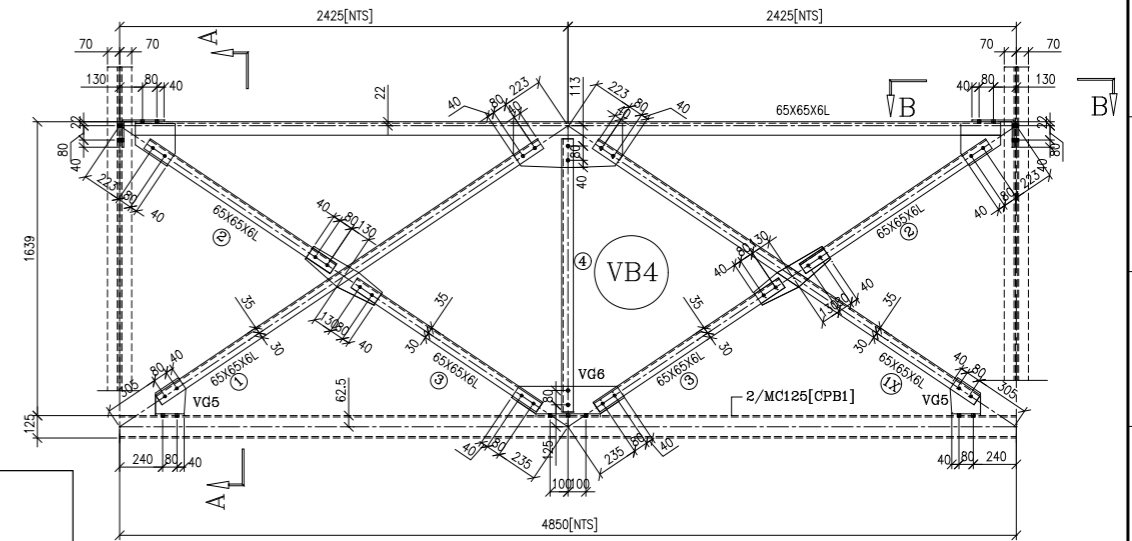


VIEW B-B



VIEW A-A

(SCALE :- 1 : 20)



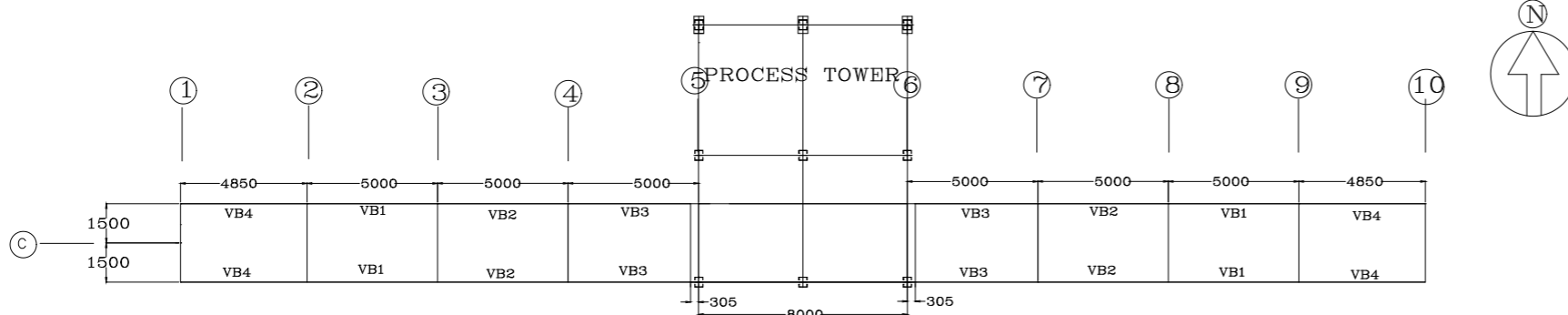
4 SETS OF VERTICAL BRACINGS REQD AS DRAWN&MKD VB4

12 NOS OF VERTICAL BRACINGS GUSSETS REQD AS DRAWN&MKD

8/VG5,4/VG6

GENERAL NOTE
 UNLESS OTHERWISE STATED
 ALL DIMENSIONS ARE IN MM
 ALL HOLES 17.5 DIA FOR 16 DIA BOLTS
 ALL WELDS 6MM THK FILLET
 ALL GUSSETS ARE 10MM THK PLATE
 STEEL WORK TO BE GIVEN A COAT OF
 RED OXIDE PAINT BEFORE DESPATCH

NOTE: CPB1,CPB3,CPB4 CONNECTION DETAIL REFER DRG NO-33



GENERAL ARRANGEMENT OF VERTICAL BRACING

DATE	REV.NO	REVISION PARTICULARS	APPROVED BY	CHECKED BY

DRAWN		S.U	PROJECT	APPROVED FOR CONSTRUCTION	
CHECKED		R.S	KARNATAKA URBAN INFRASTRUCTURE DEVELOPMENT PROJECT, PACKAGE 1 (ADB LOAN NO.1415-IND)	D&S	
APPROVED		DATE		SUPERINTENDING ENGINEER	
DATE		17-1-2001	KARNATAKA URBAN INFRASTRUCTURE DEVELOPMENT AND FINANCE CORPORATION LTD.	EXCEL INDUSTRIES LIMITED	
SCALE		1:20,1:10		184-87, SWAMI VIVEKANANDA ROAD JOGESHWARI(W) MUMBAI 400102(INDIA) PH 6788256/69	
SHEET		REVISION	DALAL CONSULTANTS AND ENGINEERS LIMITED	STRUCTURAL COMBINES PRIVATE LTD	
				MECHANICAL , STRUCTURAL, BOILER ENGINEERS AND ERECTION CONTRACTORS 203, II FLOOR,167,ELDAMS ROAD, ALWARPET, CHENNAI 600018	
			MYSORE CITY CORPORATION		INTERMEDIATE STORAGE & FINISHED STORAGE GODOWN
			200 TPD SOLID WASTE COMPOSTING PLANT IN MYSORE		
			VERTICAL BRACINGS VB2,VB3,VB4		